

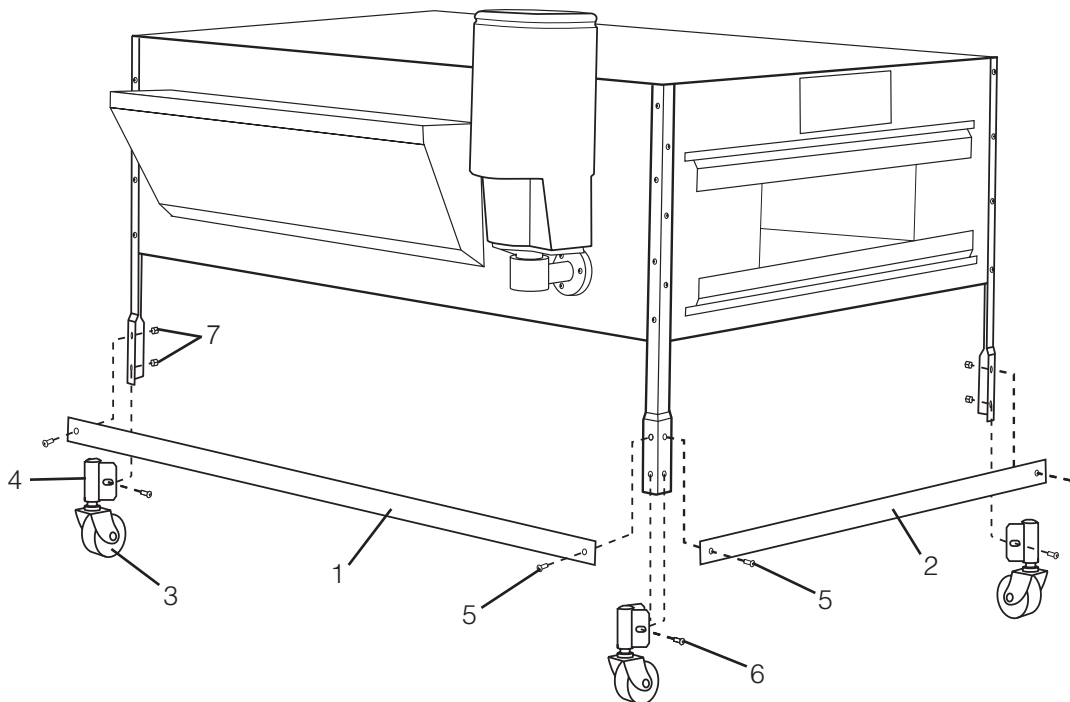
# INSTRUCTIONS AND REPAIR PARTS LIST

## CQB600 Rack for CQB20

### READ ALL INSTRUCTIONS CAREFULLY BEFORE BEGINNING INSTALLATION

Ref. No.	Part Number	Description	Qty.
1	CQB601	Long Leg Brace	2
2	CQB602	Short Leg Brace	2
<b>CQB600-HDWE</b>		<b>Hardware Bag Assembly (Includes Ref. Nos. 3 through 7)</b>	
3	70507	Ring Caster	4
4	70252	#48 Caster Bracket	4
5	OF341	1/4-20 x 1/2 Carriage Bolt	8
6	OF12	1/4-20 x 3/4 Unslotted Hex Bolt	8
7	OF335	1/4-20 Whiz Nut, Zn	16
	45170	5A311 Multiple Outlet Panel	1

1. Install Long Leg Brace (Ref. No. 1) to the second from bottom hole on the long side of CQB20 Legs. Do this to both sides. Secure using (2) 1/4" x 1/2" Carriage Bolt and (2) 1/4" Whiz Nut (Ref. No 5 and 7).
2. Install Short Leg Brace (Ref. No. 2) to the second from bottom hole on the short side of CQB20 Legs. Do this to both sides. Secure using (2) 1/4" x 1/2" Carriage Bolt and (2) 1/4" Whiz Nut (Ref. No 5 and 7).
3. Attach a Caster Bracket (Ref. No. 4) to the bottom holes on the each CQB20 Leg. Secure using (2) 1/4" x 3/4" Hex Bolt and (2) 1/4" Whiz Nut (Ref. No. 6 and 7).
4. Insert Caster (Ref. No. 3) into Caster Bracket (Ref. No. 4). Make sure caster is firmly inserted into bracket. Pushing down gently on CQB20 may help insure caster is inserted properly.



#### MODEL NUMBER

The MODEL NUMBER is: CQB600

#### WHEN ORDERING PARTS

- (1) Show MODEL NUMBER and NAME: Example - CQB600 Rack for CQB20
- (2) Show PART NUMBER and FULL DESCRIPTION of part: Example - CQB601 Long Leg Bracing